

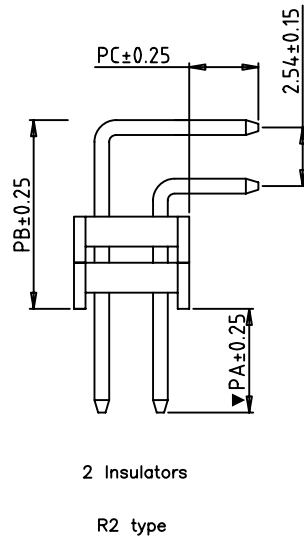
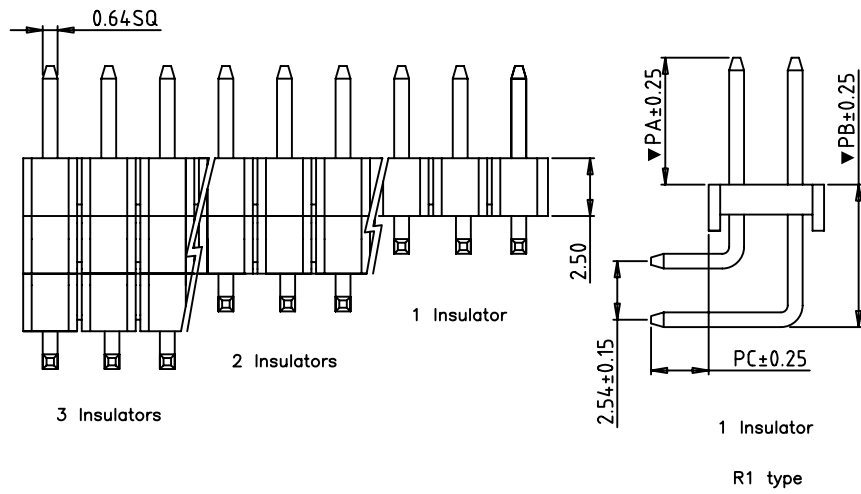
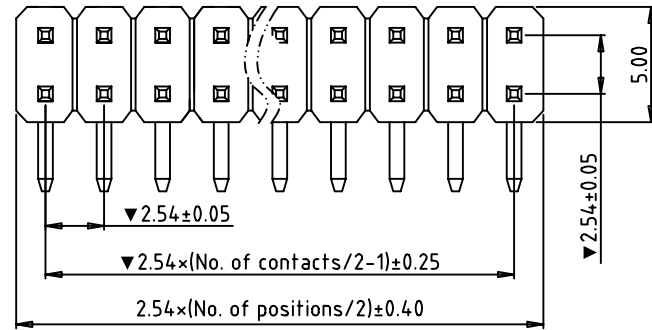
RoHS compliant

Specification:

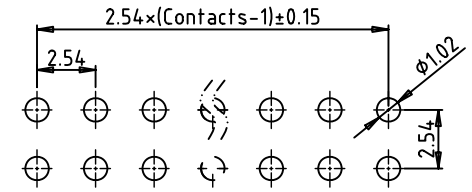
Material:
 Contact Material: Brass
 Contact plating: Au or Sn Over 50μ" Ni
 Insulator Material: Black Polyester UL94V-0
 Standard: LCP+30%G.F

Electrical:
 Current rating: 3.0Amps/contact max.
 Contact resistance: ≤20mΩ/contact
 Insulation resistance: ≥1000MΩ at V=100V
 Withstanding Voltage: 550V AC/minute

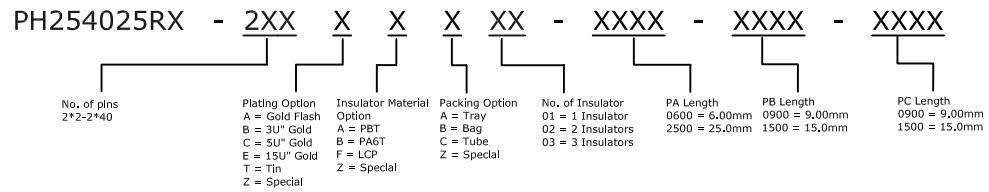
Mechanical:
 Mechanical life cycle: min.200
 Operating temperatures: -45°C to +105°C
 Soldering temperature: 245°C, 5s.



Recommended P.C.B
 Layout(±0.05)



Ordering Information



TM-LINK

TM-Link Technology Limited

TITLE: 2.54mm Pin Header Dual row Right angle type							
TOLERANCES UNLESS OTHERWISE SPECIFIED:	DRAWN	Robert	DATE:	2012-03-28	DRAWING NO.:	PH254025RX-2XX-XX	
X.XX ±0.25	CHECKED	Jhon	PROJECTION				
X.X ±0.35	APPROVED	Jack	SIZE:	A4	UNIT:	MM	SCALE: 1:1
X. ±0.50						SHEET: 1/1	REV: A