

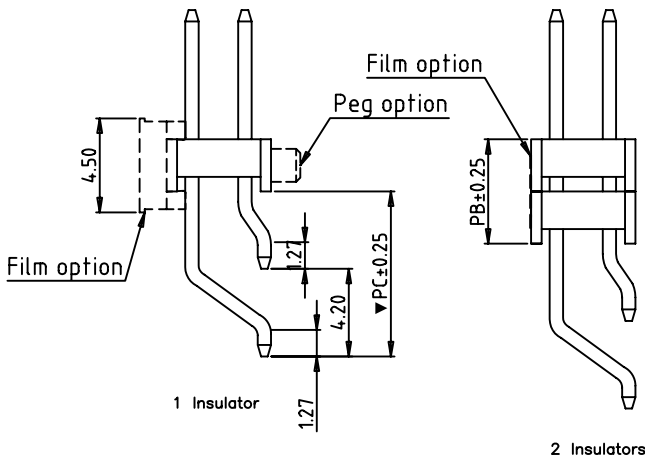
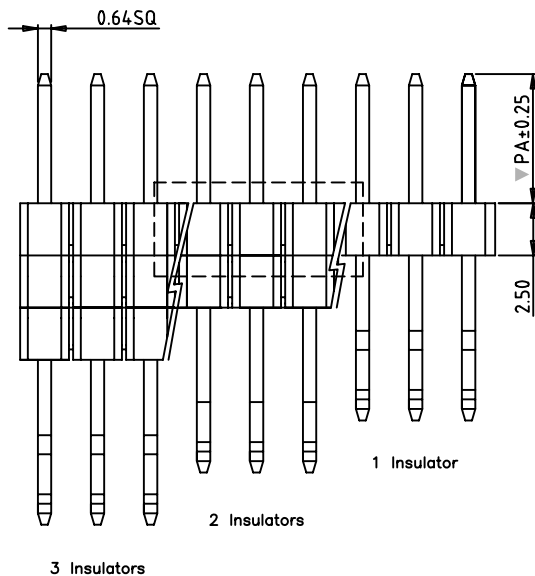
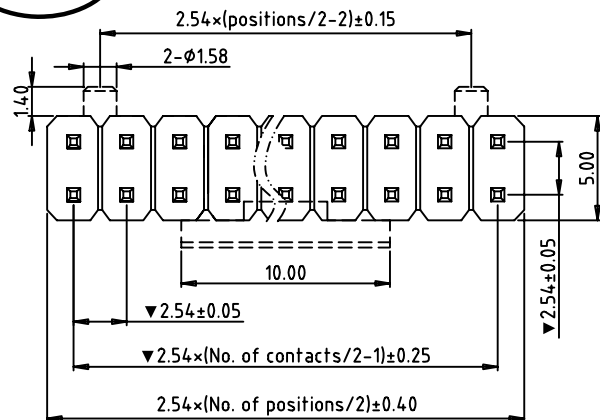
RoHS compliant

Specification:

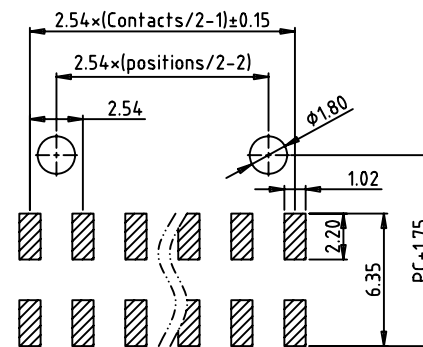
Material:
 Contact Material: Brass
 Contact plating: Au or Sn Over 50μ" Ni
 Insulator Material: Black Polyester UL94V-0
 Standard: LCP+30%G.F

Electrical:
 Current rating: 3.0Amps/contact max.
 Contact resistance: ≤20mΩ/contact
 Insulation resistance: ≥1000MΩ at V=100V
 Withstanding Voltage: 550V AC/minute

Mechanical:
 Mechanical life cycle: min.200
 Operating temperatures: -45°C to +105°C
 Soldering temperature: 260°C, 5s.



Recommended P.C.B Layout (±0.05)



Ordering Information

PH254025HSX - 2XX X X XX - XXXX - XXXX - XXXX

No. of pins
2*2-2*40

Plating Option
 A = Gold Flash
 B = 3U" Gold
 C = 5U" Gold
 E = 15U" Gold
 T = Tin
 Z = Special

Insulator Material Option
 A = PBT
 B = PA6T
 F = LCP
 Z = Special

Packing Option
 A = Tray
 B = Bag
 C = Tube
 Z = Special

No. of Insulator
 01 = 1 Insulator
 02 = 2 Insulators
 03 = 3 Insulators

PA Length
 0600 = 6.00mm
 2500 = 25.0mm

PB Length
 0900 = 9.00mm
 1500 = 15.0mm

PC Length
 0900 = 9.00mm
 1500 = 15.0mm

TM-LINK

TM-Link Technology Limited

TITLE: 2.54mm Pin Header Dual row Horizontal SMT

TOLERANCES UNLESS OTHERWISE SPECIFIED:		DRAWN	Robert	DATE:	2012-03-28	DRAWING NO.:	PH254025HSX-2XX-XX
X.XX	±0.25	CHECKED	Jhon	PROJECTION			
X.X	±0.35	APPROVED	Jack	SIZE:	A4	UNIT:	MM
X.	±0.50			SCALE:	1:1	SHEET:	1/1
						REV:	A