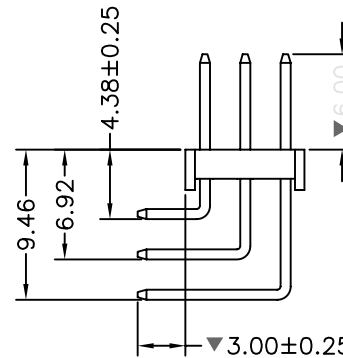
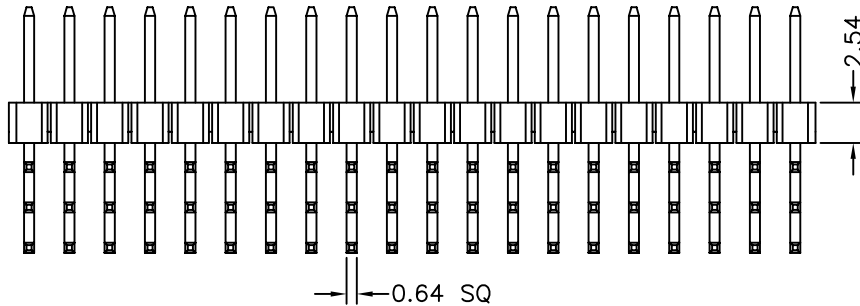
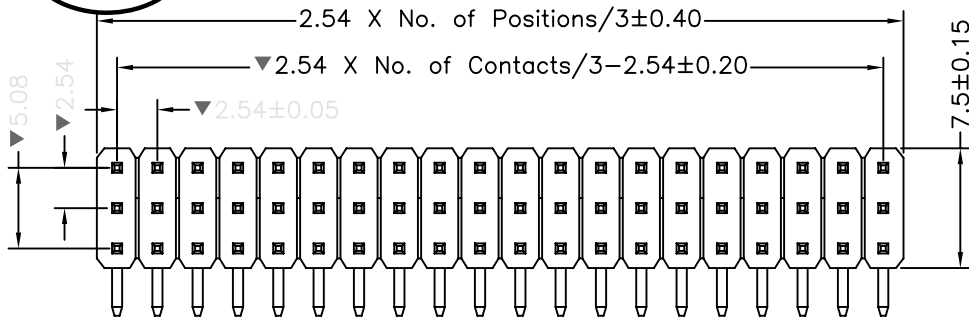
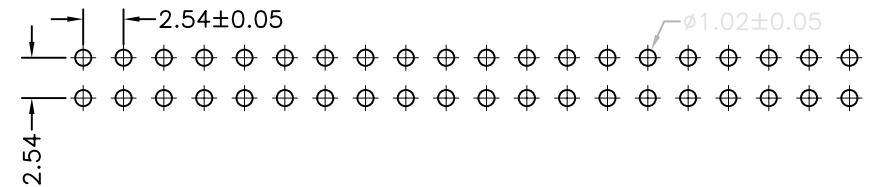


RoHS compliant



Recommended P.C.B
Layout(±0.05)



Specification:

Material:

Contact Material: Brass

Contact plating: Au or Sn Over 50µ" Ni

Insulator Material: Black Polyester UL94V-0

Standard: LCP+30%G.F

Electrical:

Current rating: 3.0Amps/contact max.

Contact resistance: ≤20mΩ/contact

Insulation resistance: ≥1000MΩ at V=100V

Withstanding Voltage: 550V AC/minute

Mechanical:

Mechanical life cycle: min.200

Operating temperatures: -45°C to +105°C

Soldering temperature: 245°C, 5s.

Ordering Information

PH2540254R1 - 3XX X X X 01 - 0600 - 0946 - 0300

No. of pins
3*3-3*40

Plating Option
A = Gold Flash
B = 3U" Gold
C = 5U" Gold
E = 15U" Gold
T = Tin
Z = Special

Insulator Material
Option
A = PBT
B = PA6T
F = LCP
Z = Special

Packing Option
A = Tray
B = Bag
C = Tube
Z = Special

No. of Insulator
01 = 1 Insulator
02 = 2 Insulators
03 = 3 Insulators

PA Length
0600 = 6.00mm
2500 = 25.0mm

PB Length
0900 = 9.00mm
1500 = 15.0mm

PC Length
0900 = 9.00mm
1500 = 15.0mm

TM-LINK

TM-Link Technology Limited

TITLE: 2.54mm Pin Header Triple row Right angle type

TOLERANCES UNLESS OTHERWISE SPECIFIED:		DRAWN	Robert	DATE:	2012-03-28	DRAWING NO.:	PH2540254R1-3XX-01
X.XX	±0.25	CHECKED	Jhon	PROJECTION			
X.X	±0.35	APPROVED	Jack	SIZE:	A4	UNIT:	MM
X.	±0.50			SCALE:	1:1	SHEET:	1/1
						REV:	A