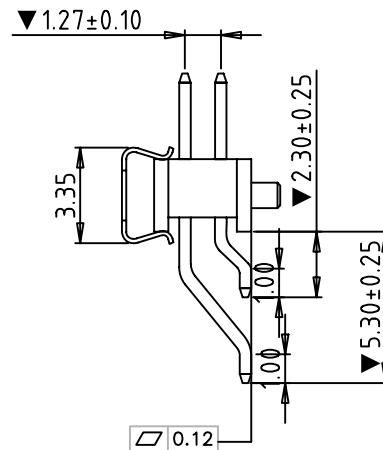
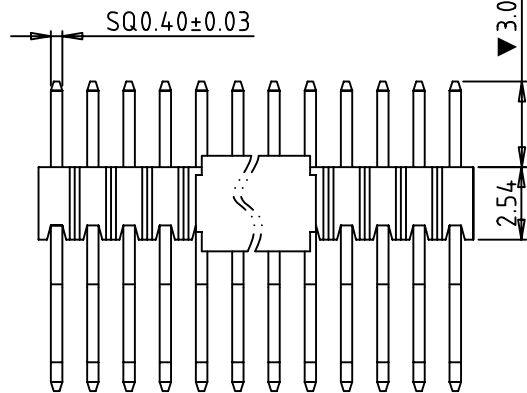
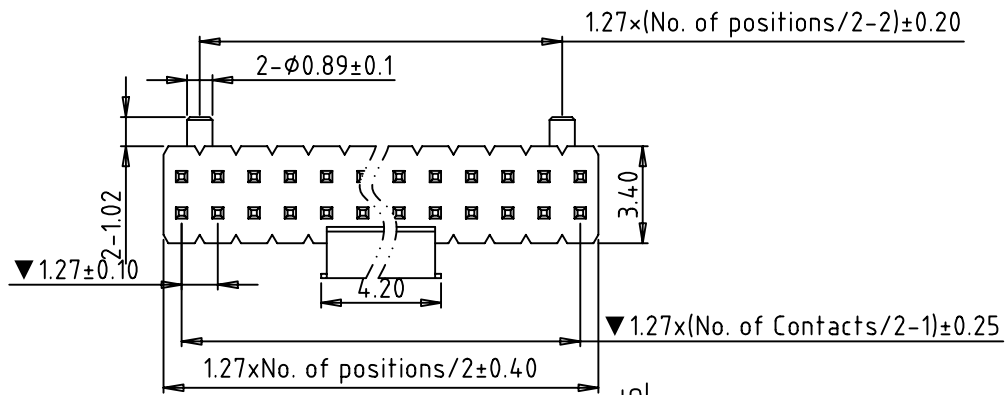


RoHS
compliant



Specification

1. Material:

- 1.1 Contact: Phosphor bronze, selective plating
- 1.2 Insulator: PA6T, black, UL94V-0, RoHS

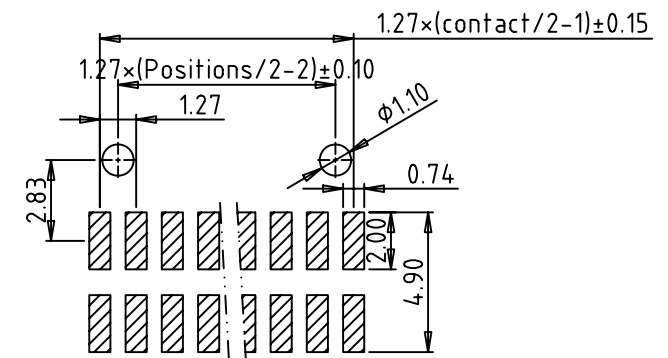
2. Electrical:

- 2.1 Current rating: 1Amps/contact max.
- 2.2 Contact resistance: $\leq 20\text{m}\Omega$ /contact
- 2.3 Insulation resistance: $\geq 1000\text{M}\Omega$ at $V=100\text{V}$
- 2.4 Withstanding Voltage: 300V AC/minute

3. Mechanical:

- 3.1 Retention force: 0.35Kgf/contact min.
- 3.2 Operating temperature: -55°C to $+105^\circ\text{C}$
- 3.3 Soldering temperature: 260°C 5S

Recommended PCB Layout



Recommended P.C.B
Layout(±0.05)

Ordering Information

PH1270254HS - 2XX X X X 01P - 0300 - 0254 - 0530

No. of pins
2*2-2*50

Plating Option
A = Gold Flash
B = 3U" Gold
C = 5U" Gold
E = 15U" Gold
T = Tin
Z = Special

Insulator Material
Option
A = PBT
B = PA6T
F = LCP
Z = Special

Packing Option
A = Tray
B = Bag
C = Tube
Z = Special

No. of Insulator
01 = 1 Insulator
02 = 2 Insulators
03 = 3 Insulators

PA Length
0600 = 6.00mm
2500 = 25.0mm

PB Length
0900 = 9.00mm
1500 = 15.0mm

PC Length
0900 = 9.00mm
1500 = 15.0mm

TM-LINK

TM-Link Technology Limited

TITLE: 1.27mm Pin Header Single Horizontal SMT

TOLERANCES UNLESS OTHERWISE SPECIFIED:		DRAWN	Robert	DATE:	2012-03-28	DRAWING NO.:	PH1270254HS-2XX-01P					
X.XX	±0.25	CHECKED	Jhon	PROJECTION								
X.X	±0.35			APPROVED	Jack	SIZE:				A4	UNIT:	MM
X.	±0.50			SCALE:	1:1	SHEET:				1/1	REV:	A