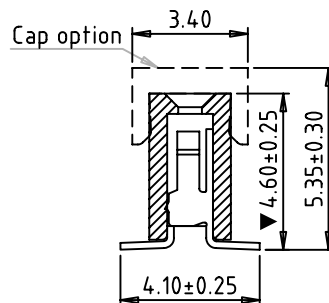
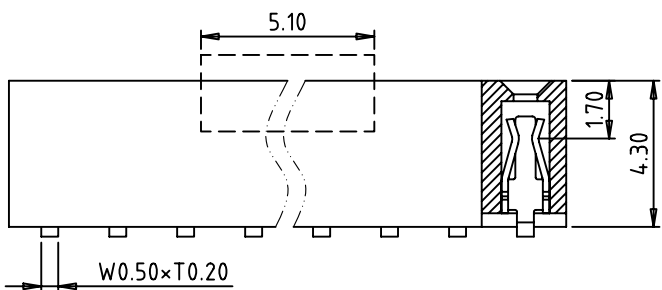
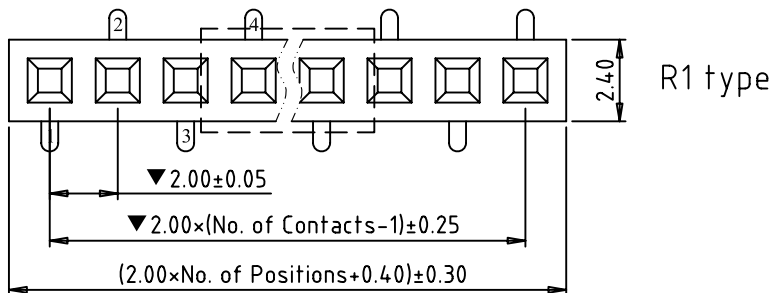
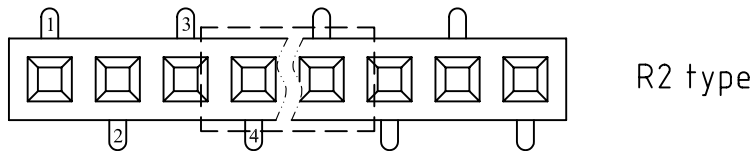


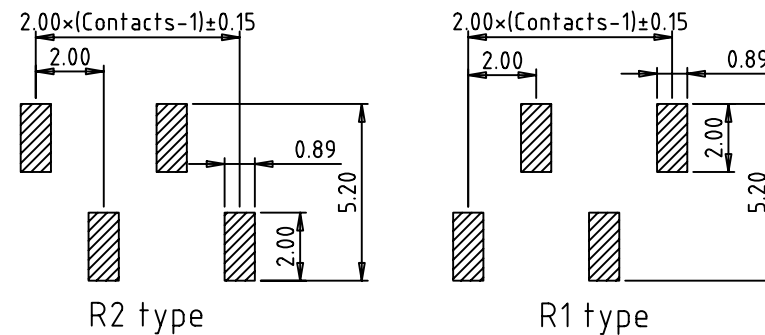
RoHS compliant



SPECIFICATIONS

Contact: phosphor bronze
 Contact plating: see ordering information
 Insulator: black glass filled polyester UL94V-0
 Current rating: 1.5Amps
 Contact resistance: 20mΩ max.
 Insulation resistance: 1000MΩ min. at 100V
 Withstanding Voltage: 450V AC/minute
 Operating temperature: -55°C to +105°C
 Soldering temperature: 260°C±5° 5S
 Critical Dimensions: ▼

Recommended P.C.B
 Layout(±0.05)



Ordering Information

FH200043VSXU - 1XX X X X 01

No. of pins 1*2-1*40
 Plating Option
 A = 30" Gold
 B = 50" Gold
 C = 150" Gold
 T = Tin
 Z = Special
 Insulator Material Option
 A = PBT
 B = PAGT
 F = LCP
 Z = Special
 Packing Option
 A = Tray
 B = Bag
 C = Tube
 Z = Special

TM-LINK

TM-Link Technology Limited

TITLE: 2.00mm Female Header Single row Vertical SMT

TOLERANCES UNLESS OTHERWISE SPECIFIED:		DRAWN	Robert	DATE:	2012-03-28	DRAWING NO.:	FH200043VSXU-1XX-01		
X.XX	±0.25	CHECKED	Jhon	PROJECTION					
X.X	±0.35			X.X°	±2°				
X.	±0.50			X.°	±3°				
APPROVED		Jack	SIZE:	A4	UNIT:	MM	SCALE:	1:1	
						SHEET:	1/1	REV:	A