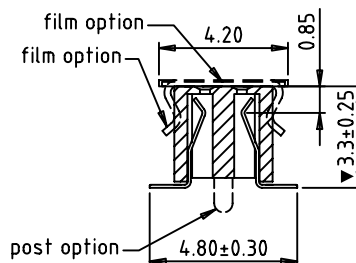
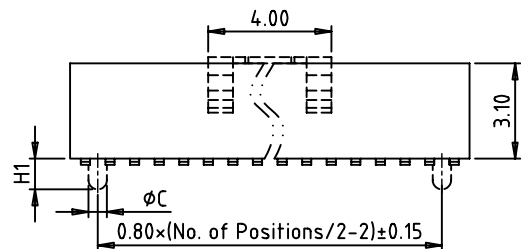
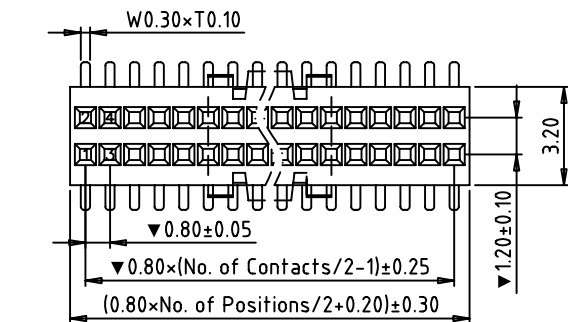
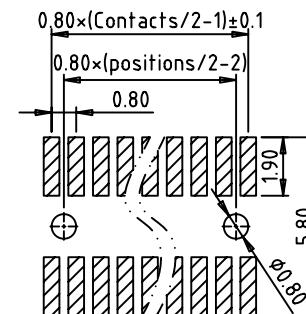


RoHS
compliant



Recommended P.C.B
Layout(±0.05)



SPECIFICATIONS

Contact: phosphor bronze
 Contact plating: see ordering information
 Insulator: black glass filled polyester
 UL94V-0

Current rating: 0.5Amps
 Contact resistance: 20mΩ max.
 Insulation resistance: 1000MΩ min. at 100V
 Withstanding Voltage: 300V AC/minute
 Operating temperature: -55°C to+105°C
 Soldering temperature: 260°C±5° 5S
 Critical Dimensions: ▼

Ordering Information

FH080031VSU1 - XXX X X X 01P

No. of pins
2*3-2*50

Plating Option
 A = Gold Flash
 B = 3U" Gold
 C = 5U" Gold
 E = 15U" Gold
 T = Tin
 Z = Special

Insulator Material
 Option
 A = PBT
 B = PA6T
 F = LCP
 Z = Special

Packing Option
 A = Tray
 B = Bag
 C = Tube
 Z = Special

TM-LINK

TM-Link Technology Limited

TITLE: 0.8mm Female Header Dual row SMT type

TOLERANCES UNLESS OTHERWISE SPECIFIED:		DRAWN	Robert	DATE:	2012-03-28	DRAWING NO.:	FH080031VSU1-01P		
X.XX	±0.25	CHECKED	Jhon	PROJECTION					
X.X	±0.35			APPROVED	Jack				SIZE:
X.	±0.50			SCALE:	1:1	SHEET:	1/1	REV:	A