

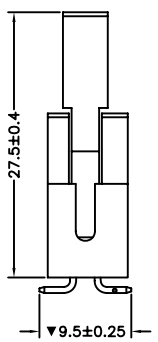
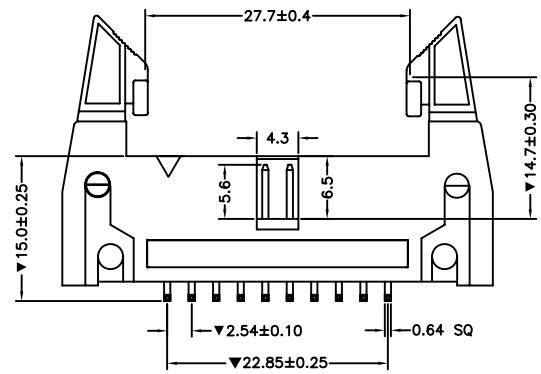
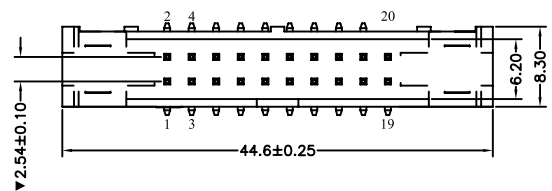


# Specification:

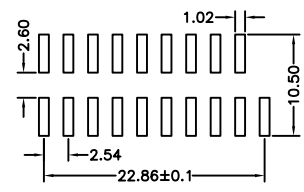
Material:  
 Contact Material: Brass  
 Contact plating: Au or Sn Over 50μ" Ni  
 Insulator Material: Black Polyester UL94V-0  
 Standard: LCP+30%G.F

Electrical:  
 Current rating: 3.0Amps/contact max.  
 Contact resistance: ≤20mΩ/contact  
 Insulation resistance: ≥1000MΩ at V=100V  
 Withstanding Voltage: 550V AC/minute

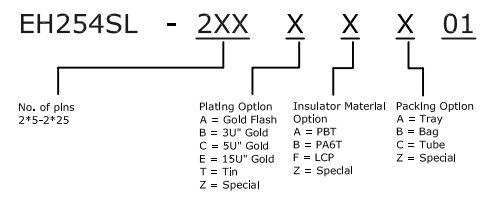
Mechanical:  
 Mechanical life cycle: min.200  
 Operating temperatures: -45°C to +105°C  
 Soldering temperature: 260°C, 5s.



Recommended P.C.B  
 Layout(±0.05)



## Ordering Information



# TM-LINK

TM-Link Technology Limited

TITLE: 2.54mm Ejector Header Dual row SMT Long Latch						
TOLERANCES UNLESS OTHERWISE SPECIFIED:	DRAWN	Robert	DATE:	2012-03-28	DRAWING NO.:	EH254SL-2XX-01
X.XX ±0.25	CHECKED	Jhon	PROJECTION			
X.X ±0.35	APPROVED	Jack	SIZE:	A4	UNIT:	MM
X. ±0.50			SCALE:	1:1	SHEET:	1/1
					REV:	A