

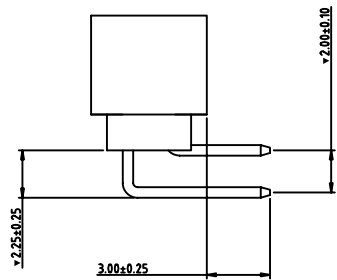
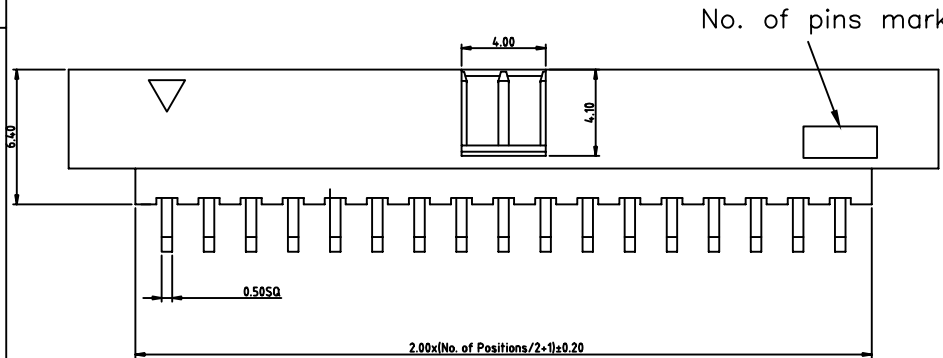
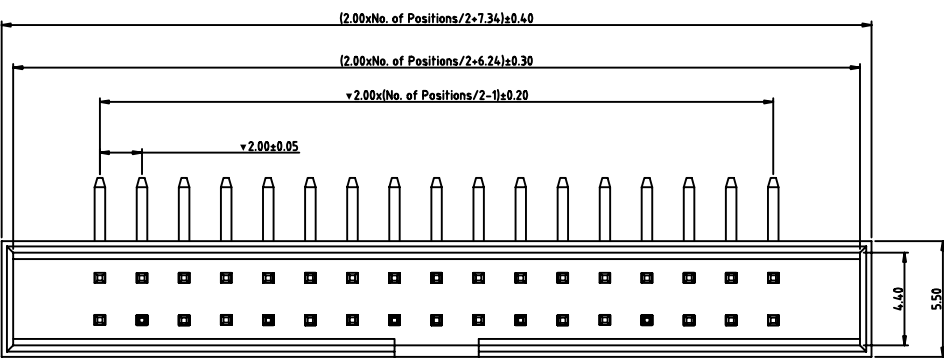
RoHS compliant

Specification:

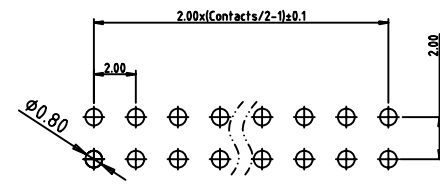
Material:
 Contact Material: Brass
 Contact plating: Au or Sn Over 50μ" Ni
 Insulator Material: Black Polyester UL94V-0
 Standard: LCP+30%G.F

Electrical:
 Current rating: 3.0Amps/contact max.
 Contact resistance: ≤20mΩ/contact
 Insulation resistance: ≥1000MΩ at V=100V
 Withstanding Voltage: 350V AC/minute

Mechanical:
 Mechanical life cycle: min.200
 Operating temperatures: -45°C to +105°C
 Soldering temperature: 260°C, 5s.



Recommended P.C.B Layout (±0.05)



Ordering Information

BH200064R - 2XX X X 01

- No. of pins: 2*3-2*64
- Plating Option: A = Gold Flash, B = 3U" Gold, C = 5U" Gold, E = 15U" Gold, T = Tin, Z = Special
- Insulator Material Option: A = PBT, B = PA6T, F = LCP, Z = Special
- Packing Option: A = Tray, B = Bag, C = Tube, Z = Special

TM-LINK

TM-Link Technology Limited

| | | | | | | | |
|--|----------|---|------------|------------|--------------|------------------|-------|
| TITLE: | | 2.00mm Box Header Dual row Right angle type | | | | | |
| TOLERANCES UNLESS OTHERWISE SPECIFIED: | DRAWN | Robert | DATE: | 2012-03-28 | DRAWING NO.: | BH200064R-2XX-01 | |
| X.XX ±0.25 | CHECKED | Jhon | PROJECTION | | | | |
| X.X ±0.35 | APPROVED | Jack | SIZE: | A4 | | | UNIT: |
| X. ±0.50 | | | SCALE: | 1:1 | SHEET: | 1/1 | |
| | | | | | REV: | A | |