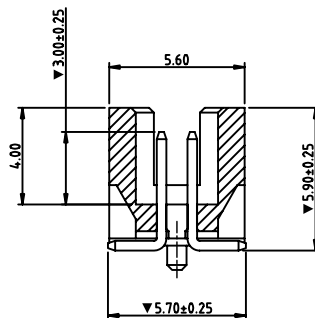
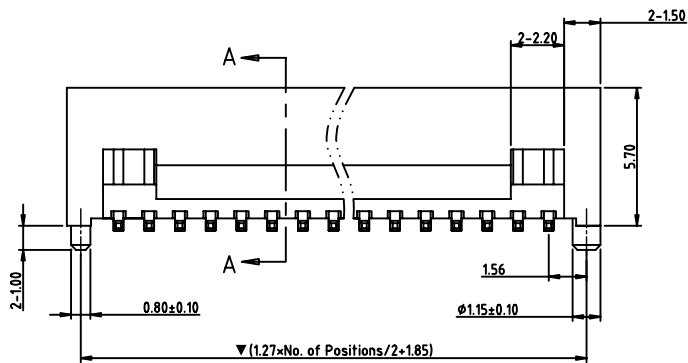
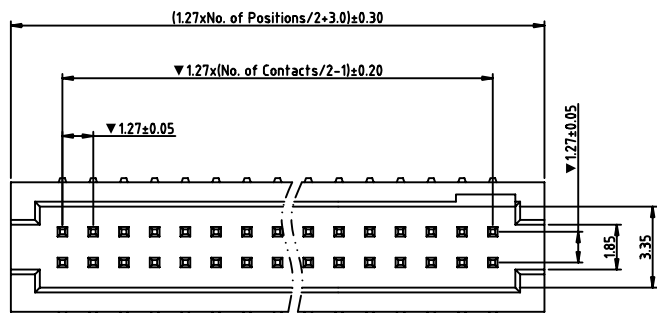
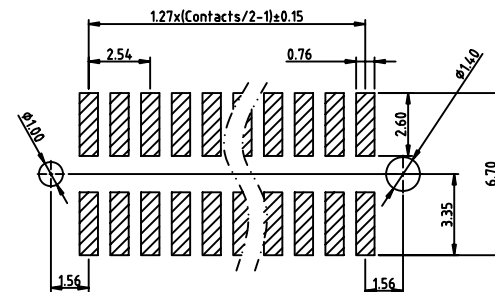


RoHS compliant



Section A-A

Recommended P.C.B Layout (±0.05)



Specification:

Material:

Contact Material: Brass

Contact plating: Au or Sn Over 50μ" Ni

Insulator Material: Black Polyester UL94V-0

Standard: LCP+30%G.F

Electrical:

Current rating: 1.0Amps/contact max.

Contact resistance: ≤20mΩ/contact

Insulation resistance: ≥1000MΩ at V=100V

Withstanding Voltage: 350V AC/minute

Mechanical:

Mechanical life cycle: min.200

Operating temperatures: -45°C to +105°C

Soldering temperature: 260°C, 5s.

Ordering Information

BH127057S - 2XX X X 01P

No. of pins
2*5-2*50

Plating Option
A = Gold Flash
B = 3U" Gold
C = 5U" Gold
E = 15U" Gold
T = Tin
Z = Special

Insulator Material
Option
A = PBT
B = PA6T
F = LCP
Z = Special

Packing Option
A = Tray
B = Bag
C = Tube
Z = Special

TM-LINK

TM-Link Technology Limited

TITLE: 1.27mm Box Header Dual row SMT

TOLERANCES UNLESS OTHERWISE SPECIFIED:		DRAWN	Robert	DATE:	2012-03-28	DRAWING NO.:	BH127057S-2XX-01P					
X.XX	±0.25	CHECKED	Jhon	PROJECTION								
X.X	±0.35			APPROVED	Jack				SIZE:	A4	UNIT:	MM
X.	±0.50								X.°	±2°	X.°	±3°