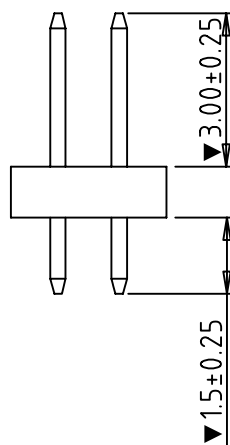
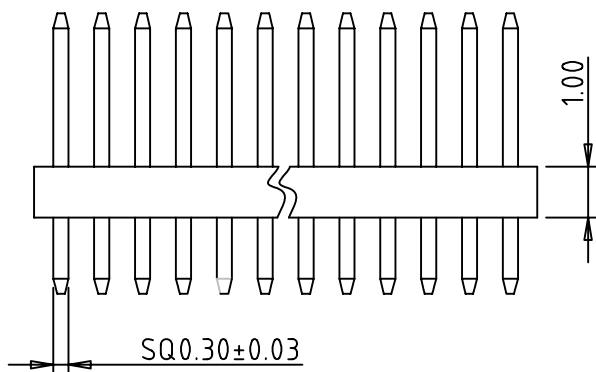
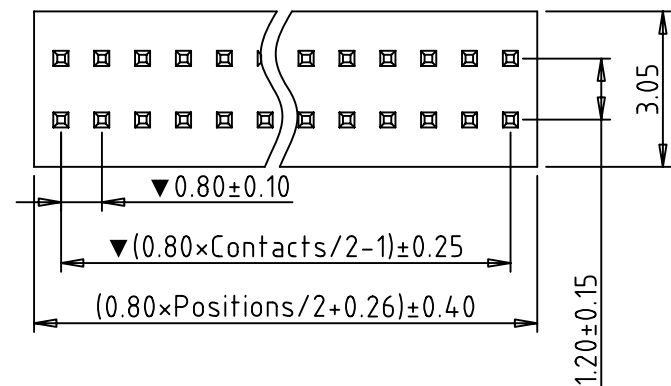
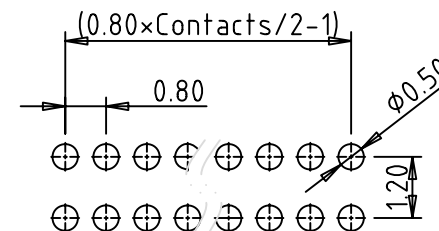


RoHS
compliant



Recommended P.C.B
Layout (± 0.05)



SPECIFICATIONS

Contact: brass
 Contact plating: see ordering information
 Insulator: black glass filled polyester
 UL94V-0
 Current rating: 0.5Amps
 Contact resistance: 20m Ω max.
 Insulation resistance: 1000M Ω min. at 100V
 Withstanding Voltage: 300V AC/minute
 Operating temperature: -55 $^{\circ}$ C to +105 $^{\circ}$ C
 Soldering temperature: 245 $^{\circ}$ C \pm 5 $^{\circ}$ S
 Critical Dimensions: ∇

Ordering Information

PH080010D - XXX X X X 01 - 0300 - 0150

No. of pins
2*2-2*50

Plating Option
A = Gold Flash
B = 3U" Gold
C = 5U" Gold
E = 15U" Gold
T = Tin
Z = Special

Insulator Material
Option
A = PBT
B = PA6T
F = LCP
Z = Special

Packing Option
A = Tray
B = Bag
C = Tube
Z = Special

PA Length
0600 = 6.00mm
2500 = 25.0mm

PC Length
0900 = 9.00mm
1500 = 15.0mm

TM-LINK

TM-Link Technology Limited

TITLE: 0.8mm Pin Header Dual row Dip type									
TOLERANCES UNLESS OTHERWISE SPECIFIED:		DRAWN	Robert	DATE:	2012-03-28	DRAWING NO.:	PH080010D-01		
X.XX	± 0.25	X.X $^{\circ}$	$\pm 2^{\circ}$	CHECKED	Jhon	PROJECTION			
X.X	± 0.35	X. $^{\circ}$	$\pm 3^{\circ}$	APPROVED	Jack	SIZE:	A4	UNIT:	MM
X.	± 0.50					SCALE:	1:1	SHEET:	1/1
						REV:		A	